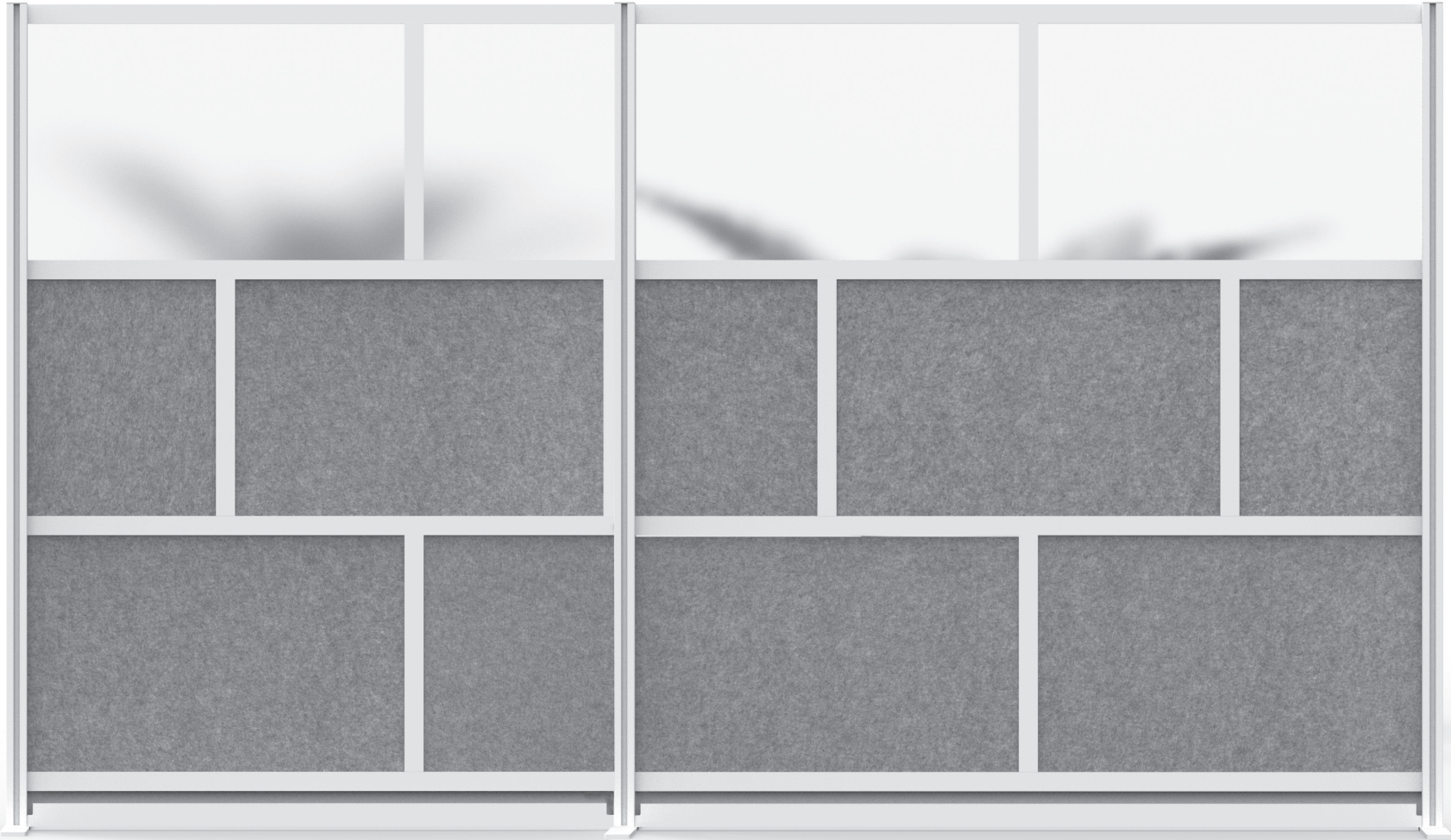


Modular Wall System User Manual





Modular Walls

Welcome to a more productive workspace! Whether you seek relief from ambient noise, want to mitigate visual distractions, are dividing up a large and open area, or you're simply looking for an easy and cost-effective alternative to traditional cubicles, you've chosen a system that will meet and exceed your expectations. And no matter where you plan to install your new modular wall system - it may be an office, healthcare clinic, school, or even at home - we would love to see your completed setup!

Contact Us

luxorworkspaces.com

Table of Contents

4	Understanding the Modular Wall System
5	Component Overview
6	Assembly Tips
7	Cleaning and Care
8-16	Assembly Instructions – Starter Walls
17-25	Assembly Instructions – Add-On Walls
26	FAQ
27	Warranty

Understanding the Modular Wall System

Congratulations on your purchase of a Modular Wall System! We know you can't wait to experience a quieter, less distracting environment, so let's get started with a quick overview.

Effortless “Drop-In” Assembly

We designed the Modular Walls to be easy to put together. Each Modular Wall model consists of various frames and panel components that slide together for a simple, intuitive assembly.

Multifunctional Inner Panels

Depending on the model wall you purchased, it will contain two or three types of **Inner Panels** that can be arranged in any configuration you choose.

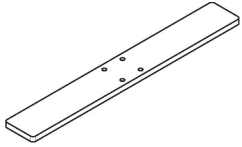
- **Sound-Dampening PET Panels:** These fabric panels block out visual distractions and absorb 85% of the ambient noise that passes through them.
- **Acrylic Panels:** These semi-transparent panels help reduce visual distractions while still allowing natural light to shine through.
- **Whiteboard Panels** (select models): These magnetic panels block visual distractions and allow for easy notetaking and collaboration.

Expandable and Reconfigurable Design

You can reconfigure or add to your Modular Wall system to adapt to your growing organization's needs. The key is to understanding the difference between a **Starter Wall** and an **Add-On Wall**.

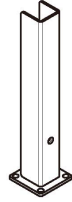
- **A Starter Wall** has **Vertical Frame Columns** and **Feet** at both ends, allowing it to be freestanding by itself without being connected to other walls. If you would like to connect multiple **Add-On Walls** together, a Starter Wall is needed as the “anchor” of any Modular Wall system.
- **An Add-On Wall** has a **Vertical Frame Column** and a **Foot** at only one end. The other end must be attached to either a **Starter Wall** or to another Add-On Wall that is part of a complete Modular Wall system. Add-On Walls can attach at either a 90° angle or in a straight line.

Component Overview



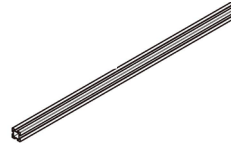
Feet

These pieces support the wall, allowing it to be freestanding.



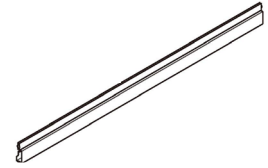
Foot Frame Inserts

These pieces connect the Feet to the Vertical Frame Columns.



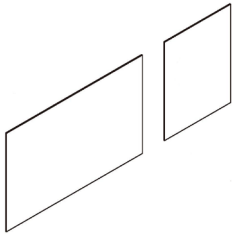
Vertical Frame Columns

These pieces hold the inner panels in place and connect walls to each other.



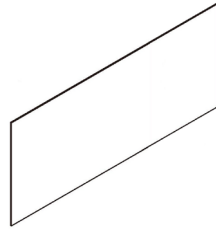
Horizontal Frame Support/Cable Raceway

This piece connects the two Vertical Frame Columns. It also contains the Cable Raceway, which you can use to keep cords organized.



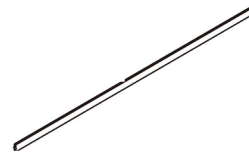
Narrow and Medium Inner Panels

These pieces slide down the Frame Columns and can be arranged to suit the needs of the user. Depending on the width of the wall, there will be either two or three panels across. Depending on the height of the wall, the panels may be stacked two or three high.



Wide Inner Panels

These pieces also slide down the Frame Columns. With the Wide Panels, there will always be just one panel across. But depending on the height of the wall, they may be stacked two or three panels high.



Horizontal Panel Separators

These pieces fit between rows of Inner Panels. They're used for Narrow, Medium, and Wide Inner Panels.



Vertical Panel Separators

These pieces fit between inner panels placed side by side. They're only used in walls containing Narrow and Medium inner panels. They're not included in walls containing Wide Inner Panels.

Assembly Tips

- When assembling your system, assemble the Starter Wall first, then assemble and attach Add-On Wall(s).
- Before inserting panels, check to make sure the Cable Raceway is facing toward your desk.
- Pre-plan the arrangement of your Inner Panels before inserting them into the frame. Take into account natural light sources, positioning of your desk, distractions you'd like to block out, etc.

NOTE: You may also choose to arrange Inner Panels based on the suggested layout in these instructions.

- When dropping the Cable Raceway and Horizontal Panel Separators into the Vertical Frame Columns, take care to drop both ends down evenly. Do not let one side drop down faster than the other.

Cleaning and Care

PET Panels

1. Using an upholstery attachment, vacuum to remove dust and loose dirt.
2. Lightly mist using an alcohol solution in a spray.
 - a. Do not saturate.
 - b. **NOTE:** Lysol aerosol spray has also been tested and found safe on SUDS fabrics.
3. Allow to air dry.

IMPORTANT: DO NOT clean with soapy water, as this may cause discoloration.

Whiteboard Panels

1. Clean using a mild solution of water and dish soap.
 - a. Apply the solution using a spray bottle and wipe using a clean cotton towel or microfiber cloth.
 - b. Avoid paper towels, as they can cause scratches.
 - c. Follow up by wiping with a second cloth dampened with water
2. Disinfect using an alcohol wipe or by using a clean cotton or microfiber cloth dampened with a 70% alcohol solution.
 - a. Avoid paper towels, as they can cause scratches.
3. Allow to air dry.

Frosted Acrylic Panels

1. Using a spray bottle, apply a solution of soapy water to dampen the entire surface you wish to clean.
2. GENTLY wipe using a clean microfiber cloth and gently buff to remove the remaining liquid.
3. If any smudges remain, repeat the process on the affected area.

IMPORTANT: DO NOT use paper towels and/or ammonia-based products like glass cleaners, as these will permanently damage the acrylic. Only use clean microfiber cloths, water, and mild dish soap.

Table of Contents: Starter Wall Assembly Instructions

Page Number	Description	Part Numbers Silver Frame SUDMW or MW	Part Numbers Black Frame SUDMW or MW
9	53" x 48" Narrow & Medium Inner Panels	5348-FCG 5348-FWCG	5348-FCGB 5348-FWCGB
10	53" x 48" Wide Inner Panels	5348-FWCGWG	5348-FWCGWB
11	53" x 70" Narrow & Medium Inner Panels	5370-FCG 5370-FWCG	5370-FCGB 5370-FWCGB
12	53" x 70" Wide Inner Panels	5370-FWCGWG	5370-FWCGWB
13	70" x 48" Narrow & Medium Inner Panels	7048-FCG 7048-FWCG	7048-FCGB 7048-FWCGB
14	70" x 48" Wide Inner Panels	7048-FWCGWG 7048-PS	7048-FWCGWB 7048-WB 7048-SB
15	70" x 70" Narrow & Medium Inner Panels	7070-FCG 7070-FWCG	7070-FCGB 7070-FWCGB
16 8	70" x 70" Wide Inner Panels	7070-FWCGWG 7070-PAS	7070-FWCGWB 7070-WAB 7070-SB

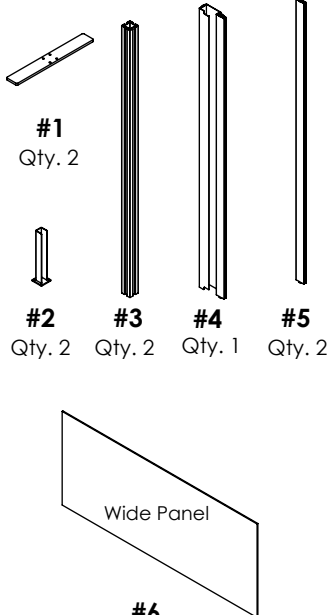
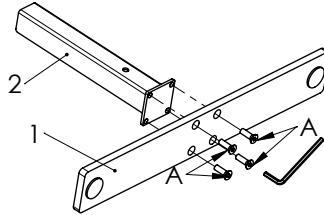
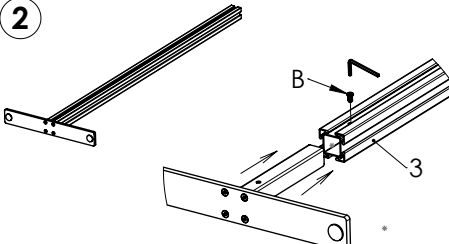
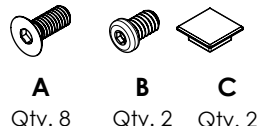
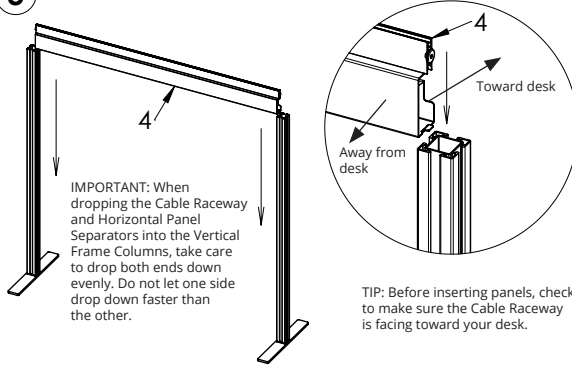
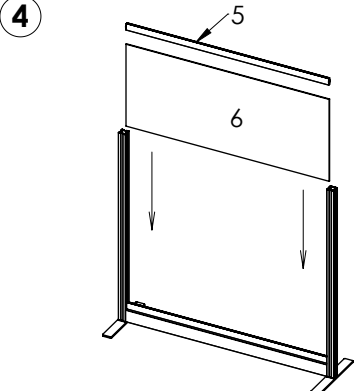
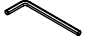
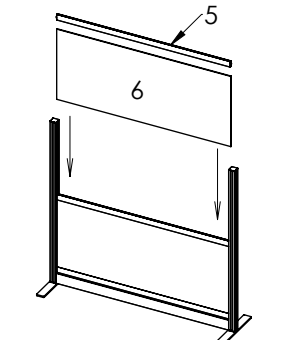
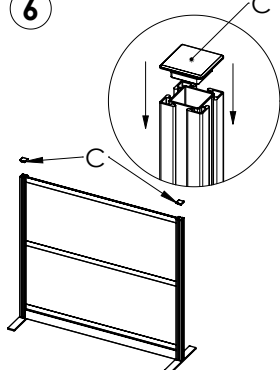
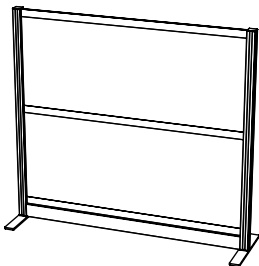
Assembly Instructions: 53" x 48" Starter Wall, Narrow & Medium Inner Panels

Part Numbers: 5348-FCG, 5348-FCGB, 5348-FWCG, 5348-FWCCB

<p>Components</p> <p>#1 Qty. 2</p> <p>#2 Qty. 2</p> <p>#3 Qty. 2</p> <p>#4 Qty. 1</p> <p>#5 Qty. 2</p> <p>#6 Qty. 2</p> <p>#7 Qty. 2</p> <p>#8 Qty. 2</p> <p>Narrow Panel</p> <p>Medium Panel</p>	<p>1</p>	<p>2</p>	
<p>Hardware</p> <p>A Qty. 8 (M6x15mm)</p> <p>B Qty. 2 (1/4-20 x 3/8")</p> <p>C Qty. 2</p>	<p>3</p> <p>IMPORTANT: When dropping the Cable Raceway and Horizontal Panel Separators into the Vertical Frame Columns, take care to drop both ends down evenly. Do not let one side drop down faster than the other.</p> <p>TIP: Before inserting panels, check to make sure the Cable Raceway is facing toward your desk.</p>	<p>4</p>	
<p>Included Tool</p> <p>WRENCH Qty. 1</p>	<p>5</p>	<p>6</p>	<p>7</p> <p><i>NOTE: User can arrange inner panels as desired.</i></p>

Assembly Instructions: 53" x 48" Starter Wall, Wide Inner Panels

Part Numbers: 5348-FWCGWB, 5348-FWCGWG

<p>Components</p>  <p>#1 Qty. 2</p> <p>#2 #3 #4 #5 Qty. 2 Qty. 2 Qty. 1 Qty. 2</p> <p>#6 Qty. 2</p>	<p>1</p> 	<p>2</p> 
<p>Hardware</p>  <p>A B C Qty. 8 Qty. 2 Qty. 2 (M6x15mm) (1/4-20 x 3/8")</p>	<p>3</p>  <p>IMPORTANT: When dropping the Cable Raceway and Horizontal Panel Separators into the Vertical Frame Columns, take care to drop both ends down evenly. Do not let one side drop down faster than the other.</p> <p>TIP: Before inserting panels, check to make sure the Cable Raceway is facing toward your desk.</p>	<p>4</p> 
<p>Included Tool</p>  <p>WRENCH Qty. 1</p>	<p>5</p> 	<p>6</p> 
<p>7</p>  <p><i>NOTE: User can arrange inner panels as desired.</i></p>		

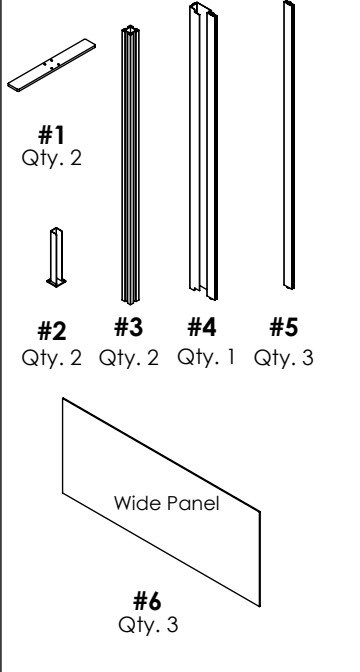
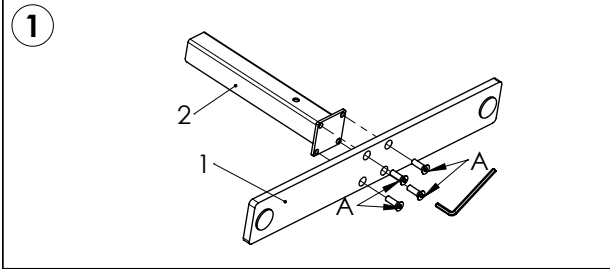
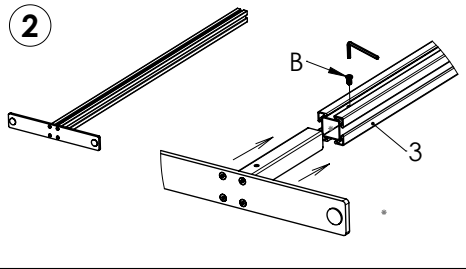
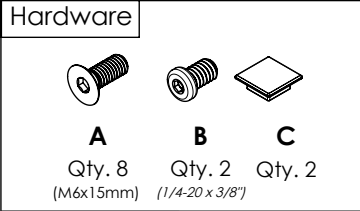
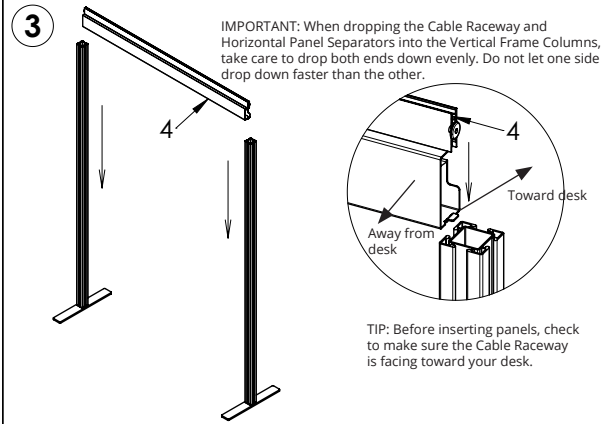
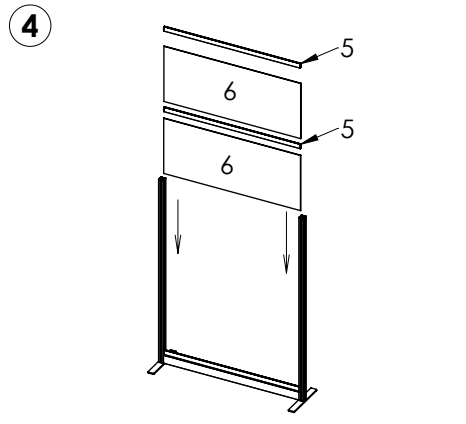
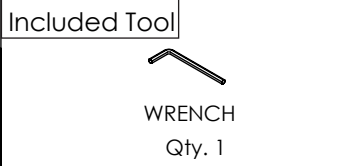
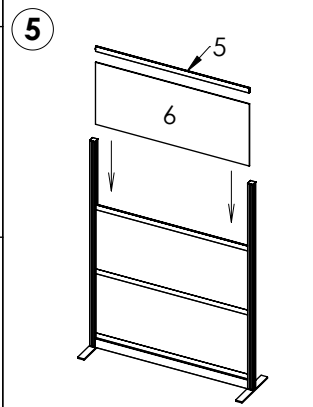
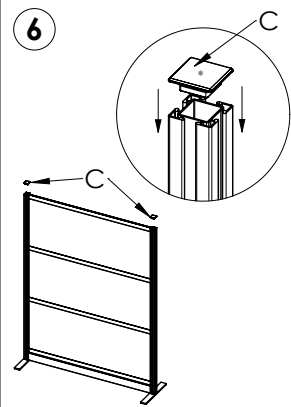
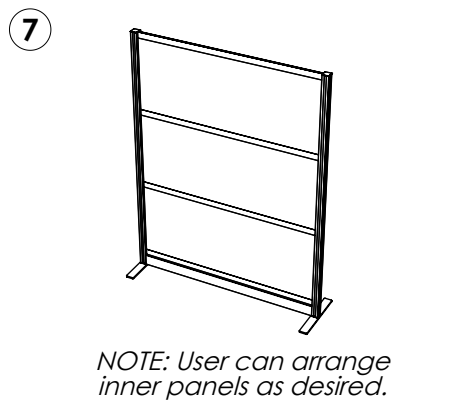
Assembly Instructions: 53" x 70" Starter Wall, Narrow & Medium Inner Panels

Part Numbers: 5370-FCG, 5370-FCGB, 5370-FWCG, 5370-FWCCB

<p>Components</p> <p>#1 Qty. 2</p> <p>#2 Qty. 2</p> <p>#3 Qty. 2</p> <p>#4 Qty. 1</p> <p>#5 Qty. 3</p> <p>#6 Qty. 3</p> <p>#7 Qty. 3</p> <p>#8 Qty. 3</p> <p>Narrow Panel</p> <p>Medium Panel</p>	<p>1</p>	<p>2</p>	
<p>Hardware</p> <p>A Qty. 8 (M6x15mm)</p> <p>B Qty. 2 (1/4-20 x 3/8")</p> <p>C Qty. 2</p>	<p>3</p> <p>IMPORTANT: When dropping the Cable Raceway and Horizontal Panel Separators into the Vertical Frame Columns, take care to drop both ends down evenly. Do not let one side drop down faster than the other.</p> <p>TIP: Before inserting panels, check to make sure the Cable Raceway is facing toward your desk.</p>	<p>4</p>	
<p>Included Tool</p> <p>WRENCH Qty. 1</p>	<p>5</p>	<p>6</p>	<p>7</p> <p><i>NOTE: User can arrange inner panels as desired.</i></p>

Assembly Instructions: 53" x 70" Starter Wall, Wide Inner Panels

Part Numbers: 5370-FWCGWB, 5370-FWCGWG

<p>Components</p>  <p>#1 Qty. 2</p> <p>#2 Qty. 2</p> <p>#3 Qty. 2</p> <p>#4 Qty. 1</p> <p>#5 Qty. 3</p> <p>Wide Panel #6 Qty. 3</p>	<p>1</p> 	<p>2</p> 	
<p>Hardware</p>  <p>A Qty. 8 (M6x15mm)</p> <p>B Qty. 2 (1/4-20 x 3/8")</p> <p>C Qty. 2</p>	<p>3</p>  <p>IMPORTANT: When dropping the Cable Raceway and Horizontal Panel Separators into the Vertical Frame Columns, take care to drop both ends down evenly. Do not let one side drop down faster than the other.</p> <p>TIP: Before inserting panels, check to make sure the Cable Raceway is facing toward your desk.</p>	<p>4</p> 	
<p>Included Tool</p>  <p>WRENCH Qty. 1</p>	<p>5</p> 	<p>6</p> 	<p>7</p>  <p>NOTE: User can arrange inner panels as desired.</p>

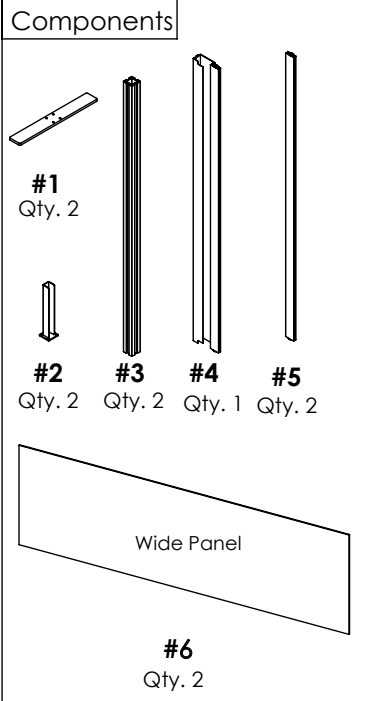
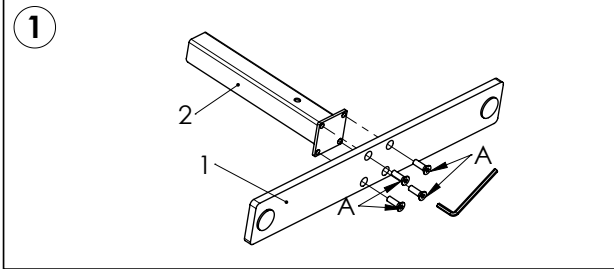
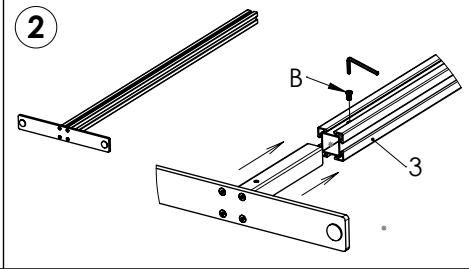
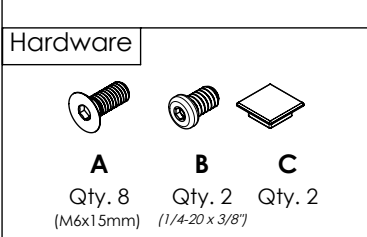
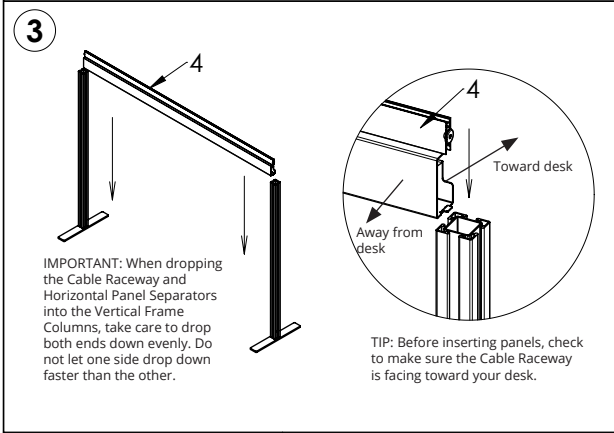
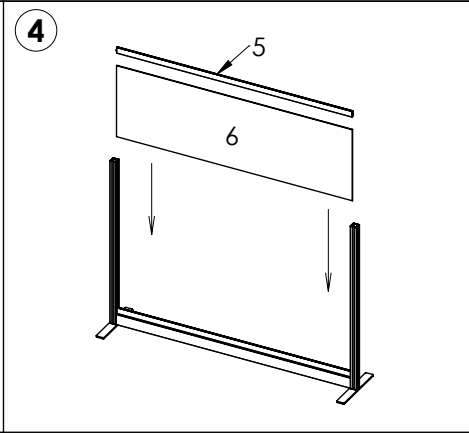
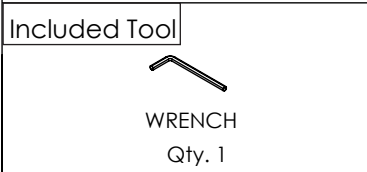
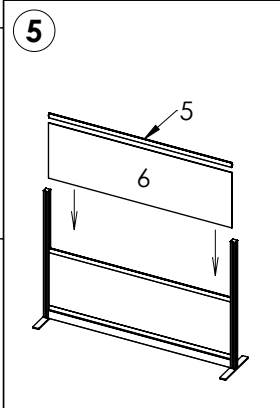
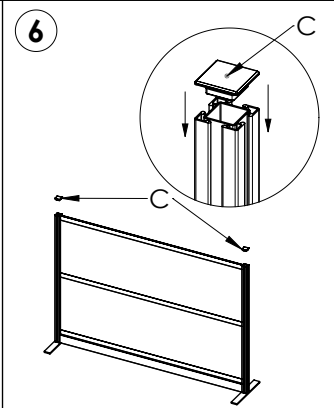
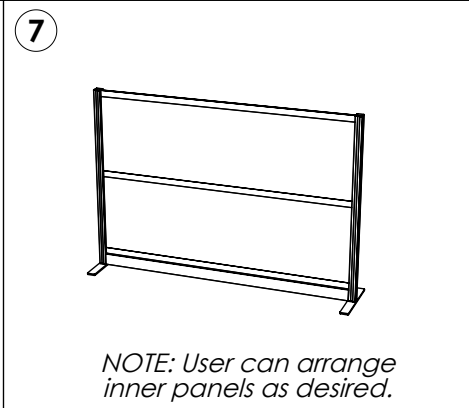
Assembly Instructions: 70" x 48" Starter Wall, Narrow & Medium Inner Panels

Part Numbers: 7048-FCC, 7048-FCGB, 7048-FWCG, 7048-FWCCB

<p>Components</p> <p>#1 Qty. 2</p> <p>#2 Qty. 2</p> <p>#3 Qty. 2</p> <p>#4 Qty. 1</p> <p>#5 Qty. 2</p> <p>#6 Qty. 3</p> <p>#7 Qty. 2</p> <p>#8 Qty. 3</p> <p>Narrow Panel</p> <p>Medium Panel</p>	<p>1</p>	<p>2</p>	
<p>Hardware</p> <p>A Qty. 8 (M6x15mm)</p> <p>B Qty. 2 (1/4-20 x 3/8")</p> <p>C Qty. 2</p>	<p>3</p> <p>IMPORTANT: When dropping the Cable Raceway and Horizontal Panel Separators into the Vertical Frame Columns, take care to drop both ends down evenly. Do not let one side drop down faster than the other.</p> <p>TIP: Before inserting panels, check to make sure the Cable Raceway is facing toward your desk.</p>	<p>4</p>	
<p>Included Tool</p> <p>WRENCH Qty. 1</p>	<p>5</p>	<p>6</p>	<p>7</p> <p><i>NOTE: User can arrange inner panels as desired.</i></p>

Assembly Instructions: 70" x 48" Starter Wall, Wide Inner Panels

Part Numbers: 7048-FWCGWB, 7048-FWCGWG, 7048-WB, 7048-SB, 7048-PS

<p>Components</p>  <p>#1 Qty. 2</p> <p>#2 #3 #4 #5 Qty. 2 Qty. 2 Qty. 1 Qty. 2</p> <p>#6 Qty. 2</p> <p>Wide Panel</p>	<p>1</p> 	<p>2</p> 	
<p>Hardware</p>  <p>A B C Qty. 8 Qty. 2 Qty. 2 (M6x15mm) (1/4-20 x 3/8")</p>	<p>3</p>  <p>IMPORTANT: When dropping the Cable Raceway and Horizontal Panel Separators into the Vertical Frame Columns, take care to drop both ends down evenly. Do not let one side drop down faster than the other.</p> <p>TIP: Before inserting panels, check to make sure the Cable Raceway is facing toward your desk.</p>	<p>4</p> 	
<p>Included Tool</p>  <p>WRENCH Qty. 1</p>	<p>5</p> 	<p>6</p> 	<p>7</p>  <p><i>NOTE: User can arrange inner panels as desired.</i></p>

Assembly Instructions: 70" x 70" Starter Wall, Narrow & Medium Inner Panels

Part Numbers: 7070-FCG, 7070-FCGB, 7070-FWCG, 7070-FWCCB

<p>Components</p> <p>#1 Qty. 2</p> <p>#2 #3 #4 #5 Qty. 2 Qty. 2 Qty. 1 Qty. 3</p> <p>#6** #7 #8 Qty. 5 Qty. 2 or 4* Qty. 4 or 5*</p> <p>* Quantities will vary depending on purchased configuration ** 1x #6 will not be used in certain configurations</p>	<p>1</p>	<p>2</p>	
<p>Hardware</p> <p>A B C Qty. 8 Qty. 2 Qty. 2 (M6x15mm) (1/4-20 x 3/8")</p>	<p>3</p> <p>IMPORTANT: When dropping the Cable Raceway and Horizontal Panel Separators into the Vertical Frame Columns, take care to drop both ends down evenly. Do not let one side drop down faster than the other.</p> <p>TIP: Before inserting panels, check to make sure the Cable Raceway is facing toward your desk.</p>	<p>4</p>	
<p>Included Tool</p> <p>WRENCH Qty. 1</p>	<p>5</p>	<p>6</p>	<p>7</p> <p>NOTE: User can arrange inner panels as desired.</p>

Assembly Instructions: 70" x 70" Starter Wall, Wide Inner Panels

Part Numbers: 7070-FWCGWB, 7070-FWCGWG, 7070-WAB, 7070-PAS, 7070-SB

<p>Components</p> <p>#1 Qty. 2</p> <p>#2 Qty. 2</p> <p>#3 Qty. 2</p> <p>#4 Qty. 1</p> <p>#5 Qty. 3</p> <p>Wide Panel #6 Qty. 3</p>	<p>1</p>	<p>2</p>	
<p>Hardware</p> <p>A Qty. 8 (M6x15mm)</p> <p>B Qty. 2 (1/4-20 x 3/8")</p> <p>C Qty. 2</p>	<p>3</p> <p>IMPORTANT: When dropping the Cable Raceway and Horizontal Panel Separators into the Vertical Frame Columns, take care to drop both ends down evenly. Do not let one side drop down faster than the other.</p> <p>TIP: Before inserting panels, check to make sure the Cable Raceway is facing toward your desk.</p>	<p>4</p>	
<p>Included Tool</p> <p>WRENCH Qty. 1</p>	<p>5</p>	<p>6</p>	<p>7</p> <p><i>NOTE: User can arrange inner panels as desired.</i></p>

Table of Contents: Add-On Wall Assembly Instructions

Page Number	Description	Part Numbers Silver Frame SUDMW or MW	Part Numbers Black Frame SUDMW or MW
18	53" x 48" Narrow & Medium Inner Panels	5348-XCG 5348-XWCG	5348-XCGB 5348-XWCGB
19	53" x 48" Wide Inner Panels	5348-XWCGWG	5348-XWCGWB
20	53" x 70" Narrow & Medium Inner Panels	5370-XCG 5370-XWCG	5370-XCGB 5370-XWCGB
21	53" x 70" Wide Inner Panels	5370-XWCGWG	5370-XWCGWB
22	70" x 48" Narrow & Medium Inner Panels	7048-XCG 7048-XWCG	7048-XCGB 7048-XWCGB
23	70" x 48" PET/Acrylic, Wide Inner Panels	7048-XWCGWG	7048-XWCGWB
24	70" x 70" Narrow & Medium Inner Panels	7070-XCG 7070-XWCG	7070-XCGB 7070-XWCGB
25	70" x 70" Wide Inner Panels	7070-XWCGWG	7070-XWCGWB

Assembly Instructions: 53" x 48" Add-On Wall, Narrow & Medium Inner Panels

Part Numbers: 5348-XCG, 5348-XCGB, 5348-XWCG, 5348-XWCGB

<p>Components</p> <p>#1 Qty. 1</p> <p>#2 Qty. 1</p> <p>#3 Qty. 1</p> <p>#4 Qty. 1</p> <p>#5 Qty. 2</p> <p>#6 Qty. 2</p> <p>#7 Qty. 2</p> <p>#8 Qty. 2</p> <p>Narrow Panel</p> <p>Medium Panel</p>	<p>1</p>	<p>2</p>	
<p>Hardware</p> <p>A Qty. 4 (M6x15mm)</p> <p>B Qty. 1 (1/4-20 x 3/8")</p> <p>C Qty. 1</p>	<p>3</p> <p>IMPORTANT: When dropping the Cable Raceway and Horizontal Panel Separators into the Vertical Frame Columns, take care to drop both ends down evenly. Do not let one side drop down faster than the other.</p> <p>TIP: Before inserting panels, check to make sure the Cable Raceway is facing toward your desk.</p>	<p>4</p>	
<p>Included Tool</p> <p>WRENCH Qty. 1</p>	<p>5</p>	<p>6</p>	<p>7</p> <p>Starter Wall</p> <p>Add-On Wall</p> <p>Add-On Wall</p> <p>NOTE: User can arrange inner panels as desired.</p>

Assembly Instructions: 53" x 48" Add-On Wall, Wide Inner Panels

Part Numbers: 5348-XWCGWB, 5348-XWCGWG

<p>Components</p> <p>#1 Qty. 1</p> <p>#2 #3 #4 #5 Qty. 1 Qty. 1 Qty. 1 Qty. 2</p> <p>#6 Qty. 2</p> <p>Wide Panel</p>	<p>1</p>	<p>2</p>	
<p>Hardware</p> <p>A B C Qty. 4 Qty. 1 Qty. 1 (M6x15mm) (1/4-20 x 3/8")</p>	<p>3</p> <p>IMPORTANT: When dropping the Cable Raceway and Horizontal Panel Separators into the Vertical Frame Columns, take care to drop both ends down evenly. Do not let one side drop down faster than the other.</p> <p>TIP: Before inserting panels, check to make sure the Cable Raceway is facing toward your desk.</p>	<p>4</p>	
<p>Included Tool</p> <p>WRENCH Qty. 1</p>	<p>5</p>	<p>6</p>	<p>7</p> <p>Starter Wall</p> <p>Add-On Wall</p> <p>Add-On Wall</p> <p>NOTE: User can arrange inner panels as desired.</p>

Assembly Instructions: 53" x 70" Add-On Wall, Narrow & Medium Inner Panels

Part Numbers: 5370-XCG, 5370-XCGB, 5370-XWCG, 5370-XWCGB

<p>Components</p> <p>#1 Qty. 1</p> <p>#2 #3 #4 #5 Qty. 1 Qty. 1 Qty. 1 Qty. 3</p> <p>#6 #7 #8 Qty. 3 Qty. 3 Qty. 3</p> <p>Narrow Panel Medium Panel</p>	<p>1</p>	<p>2</p>	
<p>Hardware</p> <p>A B C Qty. 4 Qty. 1 Qty. 1 (M6x15mm) (1/4-20 x 3/8")</p>	<p>3</p> <p>IMPORTANT: When dropping the Cable Raceway and Horizontal Panel Separators into the Vertical Frame Columns, take care to drop both ends down evenly. Do not let one side drop down faster than the other.</p> <p>TIP: Before inserting panels, check to make sure the Cable Raceway is facing toward your desk.</p>	<p>4</p>	
<p>Included Tool</p> <p>WRENCH Qty. 1</p>	<p>5</p>	<p>6</p>	<p>7</p> <p>NOTE: User can arrange inner panels as desired.</p>

Assembly Instructions: 53" x 70" Add-On Wall, Wide Inner Panels

Part Numbers: 5370-XWCGWB, 5370-XWCGWG

<p>Components</p> <p>#1 Qty. 1</p> <p>#2 #3 #4 #5 Qty. 1 Qty. 1 Qty. 1 Qty. 3</p> <p>#6 Qty. 3</p> <p>Wide Panel</p>	<p>1</p>	<p>2</p>	
<p>Hardware</p> <p>A B C Qty. 4 Qty. 1 Qty. 1 (M6x15mm) (1/4-20 x 3/8")</p>	<p>3</p> <p>IMPORTANT: When dropping the Cable Raceway and Horizontal Panel Separators into the Vertical Frame Columns, take care to drop both ends down evenly. Do not let one side drop down faster than the other.</p> <p>TIP: Before inserting panels, check to make sure the Cable Raceway is facing toward your desk.</p>	<p>4</p>	
<p>Included Tool</p> <p>WRENCH Qty. 1</p>	<p>5</p>	<p>6</p>	<p>7</p> <p>NOTE: User can arrange inner panels as desired.</p>

Assembly Instructions: 70" x 48" Add-On Wall, Narrow & Medium Inner Panels

Part Numbers: 7048-XCG, 7048-XCGB, 7048-XWCG, 7048-XWCGB

<p>Components</p> <p>#1 Qty. 1</p> <p>#2 Qty. 1</p> <p>#3 Qty. 1</p> <p>#4 Qty. 1</p> <p>#5 Qty. 2</p> <p>#6 Qty. 3</p> <p>#7 Qty. 2</p> <p>#8 Qty. 3</p> <p>Narrow Panel</p> <p>Medium Panel</p>	<p>1</p>	<p>2</p>	
<p>Hardware</p> <p>A Qty. 4 (M6x15mm)</p> <p>B Qty. 1 (1/4-20 x 3/8")</p> <p>C Qty. 1</p>	<p>3</p> <p>IMPORTANT: When dropping the Cable Raceway and Horizontal Panel Separators into the Vertical Frame Columns, take care to drop both ends down evenly. Do not let one side drop down faster than the other.</p> <p>TIP: Before inserting panels, check to make sure the Cable Raceway is facing toward your desk.</p>	<p>4</p>	
<p>Included Tool</p> <p>WRENCH Qty. 1</p>	<p>5</p>	<p>6</p>	<p>7</p> <p>Starter Wall</p> <p>Add-On Wall</p> <p>Add-On Wall</p> <p><i>NOTE: User can arrange inner panels as desired.</i></p>

Assembly Instructions: 70" x 48" Add-On Wall, Wide Inner Panels

Part Numbers: 7048-XWCGWB, 7048-XWCGWG

<p>Components</p> <p>#1 Qty. 1</p> <p>#2 Qty. 1 #3 Qty. 1 #4 Qty. 1 #5 Qty. 2</p> <p>#6 Qty. 2</p> <p>Wide Panel</p>	<p>1</p>	<p>2</p>
<p>Hardware</p> <p>A Qty. 4 (M6x15mm) B Qty. 1 (1/4-20 x 3/8") C Qty. 1</p>	<p>3</p> <p>IMPORTANT: When dropping the Cable Raceway and Horizontal Panel Separators into the Vertical Frame Columns, take care to drop both ends down evenly. Do not let one side drop down faster than the other.</p> <p>TIP: Before inserting panels, check to make sure the Cable Raceway is facing toward your desk.</p>	<p>4</p>
<p>Included Tool</p> <p>WRENCH Qty. 1</p>	<p>5</p>	<p>6</p>
<p>7</p> <p>Starter Wall Add-On Wall Add-On Wall</p> <p>NOTE: User can arrange inner panels as desired.</p>		

Assembly Instructions: 70" x 70" Add-On Wall, Narrow & Medium Inner Panels

Part Numbers: 7070-XCG, 7070-XCGB, 7070-XWCG, 7070-XWCCB

<p>Components</p> <p>#1 Qty. 1</p> <p>#2 Qty. 1</p> <p>#3 Qty. 1</p> <p>#4 Qty. 1</p> <p>#5 Qty. 3</p> <p>#6** Qty. 5</p> <p>#7 Qty. 2 or 4*</p> <p>#8 Qty. 4 or 5*</p> <p>Narrow Panel</p> <p>Medium Panel</p> <p>* Quantities will vary depending on purchased configuration ** 1x #6 will not be used in certain configurations</p>	<p>1</p>	<p>2</p>	
<p>Hardware</p> <p>A Qty. 4 (M6x15mm)</p> <p>B Qty. 1 (1/4-20 x 3/8")</p> <p>C Qty. 1</p>	<p>3</p> <p>IMPORTANT: When dropping the Cable Raceway and Horizontal Panel Separators into the Vertical Frame Columns, take care to drop both ends down evenly. Do not let one side drop down faster than the other.</p> <p>TIP: Before inserting panels, check to make sure the Cable Raceway is facing toward your desk.</p>	<p>4</p>	
<p>Included Tool</p> <p>WRENCH Qty. 1</p>	<p>5</p>	<p>6</p>	<p>7</p> <p>Starter Wall</p> <p>Add-On Wall</p> <p>Add-On Wall</p> <p>NOTE: User can arrange inner panels as desired.</p>

Assembly Instructions: 70" x 70" Add-On Wall, Wide Inner Panels

Part Numbers: 7070-XWCCWB, 7070-XWCGWG

<p>Components</p> <p>#1 Qty. 1</p> <p>#2 #3 #4 #5 Qty. 1 Qty. 1 Qty. 1 Qty. 3</p> <p>#6 Qty. 3</p>	<p>1</p>	<p>2</p>	
<p>Hardware</p> <p>A B C Qty. 4 Qty. 1 Qty. 1 (M6x15mm) (1/4-20 x 3/8")</p>	<p>3</p> <p>IMPORTANT: When dropping the Cable Raceway and Horizontal Panel Separators into the Vertical Frame Columns, take care to drop both ends down evenly. Do not let one side drop down faster than the other.</p> <p>TIP: Before inserting panels, check to make sure the Cable Raceway is facing toward your desk.</p>	<p>4</p>	
<p>Included Tool</p> <p>WRENCH Qty. 1</p>	<p>5</p>	<p>6</p>	<p>7</p> <p>NOTE: User can arrange inner panels as desired.</p>

Frequently Asked Questions

- **Q: Do I always need a Starter Wall, or can I just connect two Add-On Walls?**
 - o A: You must always have a Starter Wall in your wall system.

- **Q: Can I connect two Starter Walls?**
 - o A: Yes, but you will end up with an unused Vertical Frame Column and Foot.
If expanding your system, always select Add-On Walls.

- **Q: Can I connect a 70"-tall Add-On Wall to a 48"-tall Starter Wall?**
 - o A: No. The Starter Wall must be taller or the same height as the Add-On Wall.

- **Q: Can I take my Modular Wall System apart?**
 - o A: Yes. Simply disassemble in the reverse order as outlined in the instructions.

- **Q: Is there a limit to how many Add-On Walls I can connect to a Starter Wall?**
 - o A: No! The system is infinitely expandable. The only limitation will be your available space.

Warranty

Luxor Modular Wall products are covered by a 5-year manufacturer's Limited Warranty against defects and workmanship. Any product that is defective in either materials or workmanship will be repaired or replaced at the manufacturer's discretion. This warranty does not cover damage in transit or any modification to the product by the customer. This warranty is for five years from the date of purchase of the product, provided the product is used for its intended purpose and used with weight loads not exceeding those recommended. This warranty does not cover any problems which result from improper set-up, unauthorized modification, normal wear and tear, abuse, or environmental damages, including fire, hurricane, or flood.

- **Rental Applications:** Since rental applications do not fall under the category of normal usage, Luxor will be unable to provide the Limited Warranty on units used for rental applications. We will, however, make parts and/or entire units available at a special purchase price upon request.
- **Limitations:** Regardless of how carefully you use or care for your product, it will eventually show age and wear, and coverage does not include the expected age and wear of products. Neither the consequential costs of repairing or replacing other property damaged in the event of our product malfunctioning nor incidental loss of time, loss of use, etc. damages are not recoverable under this warranty. Some states do not allow the exclusion or limitation of incidental or consequential damages, so the above limitation or exclusion may not apply to you. Other limitations may apply depending on the model purchased. For details, send an email to info@luxorworkspaces.com or call 800- 323-4656.

WARNING: Proper Care and Cleaning of Acrylic - PLEASE READ BEFORE INSTALLING: Acrylic sheeting can be damaged by harsh solvents and cleaners. Only use cleaning products labeled "commercial plastic cleaners" or mild soap and water to remove dirt and debris. When applying the cleaner, use a non-abrasive, lint-free, or microfiber cloth that won't scratch the surface. Never use products containing ammonia, acetone, carbon tetrachloride, scouring compounds, alcohol, bleach, aromatics, or gasoline. Chemical glass cleaners (even if they are environmentally friendly, organic, or non-scented) are also not to be used. All solvents need to be wiped clean with fresh water and blotted dry to reduce and prevent water spotting. Failure to adhere to the above guidelines can cause yellowing, cracks, and scratches in acrylic sheeting and may give the surface a frosted appearance. It will also void the Limited Warranty - our Limited Warranty does not apply to any damage caused by or the result of improper cleaning, handling, installation, operation, maintenance, pressure washing, accident, fire, natural disaster, explosion, abuse, vandalism, chlorine, chemicals from sprinkler systems, or other external forces. This warranty shall be null and void if any harmful solvents are used to clean.

